

**Upblast Centrifugal  
Exhaust Ventilator  
Roof Mounted  
Belt Drive**

**Fan Model VCR for Type I Grease Hoods**



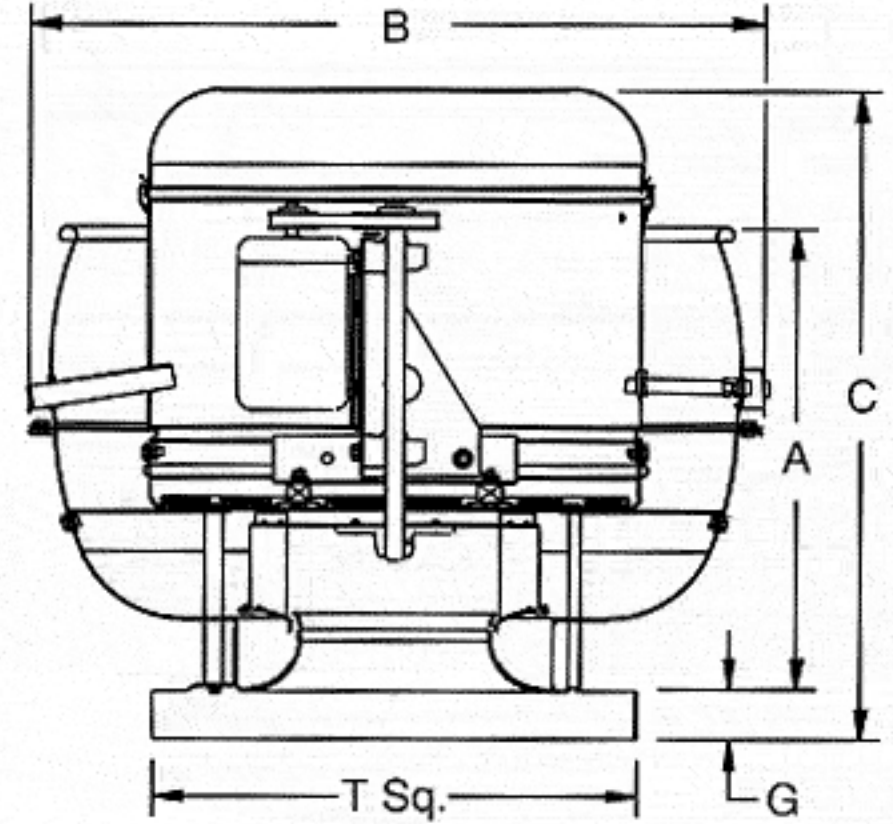
Exhaust Fans come with grease cup



Loren Cook Company certifies that the VCR shown herein are licensed to bear the AMCA Seal. The ratings shown are based on tests and procedures performed in accordance with AMCA Publication 211 and AMCA Publication 311 and comply with the requirements of the AMCA Certified Ratings Program.

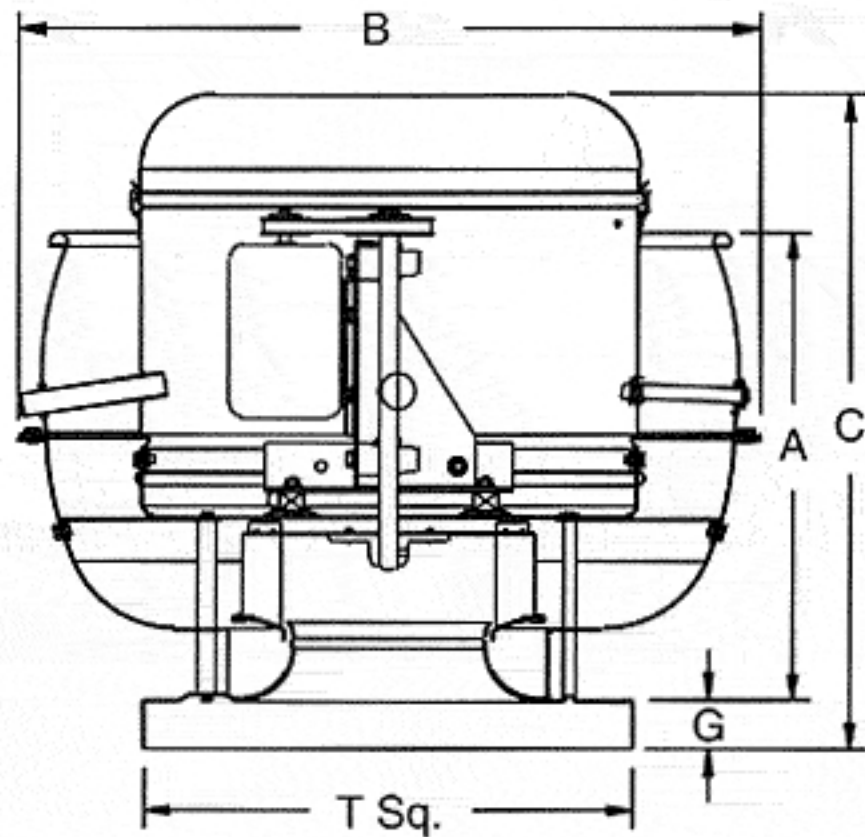


Type VCR is furnished standard with UL 762 and cUL 762 listings (Power Ventilator for Restaurant Exhaust Appliances/YZHW) when furnished with factory supplied motor.



**VCR Dimension Data**

Size	A	B	C	G	T Sq.	Roof Opening Square*	Approx. Ship. Wt.-Lbs Less Motor
100	14-9/16	25-1/4	21-15/16	2	18	13-1/2	30
120	19-1/16	30-3/16	28-1/4	2	20	15-1/2	61
135	19-1/16	30-3/16	28-5/8	2	20	15-1/2	66
150	20-15/16	34-11/16	30-1/4	2	24	19-1/2	77
165	20-15/16	34-11/16	30-3/4	2	24	19-1/2	83
180	24-13/16	39-7/16	35-7/8	3	30	25-1/2	100
195	24-13/16	39-7/16	36-3/8	3	30	25-1/2	110



**Fan Model ACRU-B for  
Type II Heat and Vapor Hoods,  
not for Type I Grease Hoods**

**Upblast Centrifugal  
Exhaust Ventilator  
Roof Mounted  
Belt Drive**



Loren Cook Company certifies that the ACRU-B shown herein are licensed to bear the AMCA Seal. The ratings shown are based on tests and procedures performed in accordance with AMCA Publication 211 and AMCA Publication 311 and comply with the requirements of the AMCA Certified Ratings Program.



Type ACRU-B is furnished standard with UL 705 and cUL 705 listings (Power Ventilator/ZACT) when furnished with factory supplied motor.

**ACRU-B Dimension Data**

Size	A	B	C	G	T Sq.	Roof Opening Square*	Approx. Ship. Wt.-Lbs Less Motor
100	14-1/2	25-3/16	22-7/16	2	18	13-1/2	30
120	19-1/16	30-3/16	28-1/4	2	20	15-1/2	55
135	19-1/16	30-3/16	28-5/8	2	20	15-1/2	60
150	20-15/16	34-11/16	30-1/4	2	24	19-1/2	70
165	20-15/16	34-11/16	30-3/4	2	24	19-1/2	75