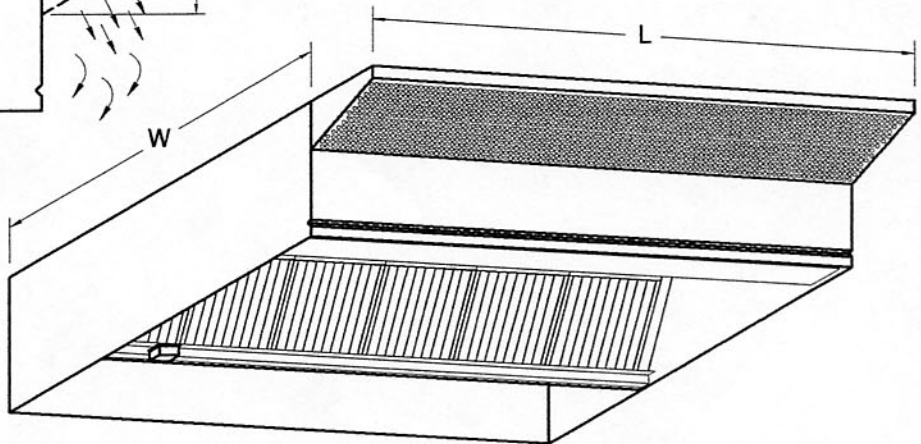
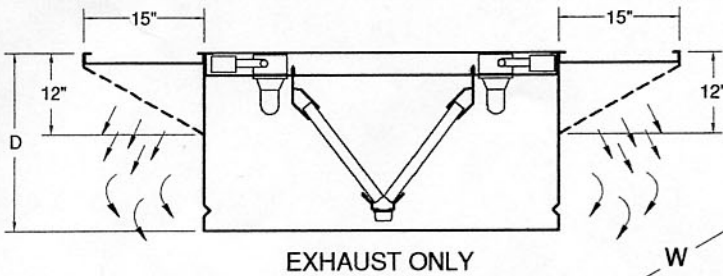
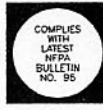


Hood Model Number VEE

Option: Ceiling - Hood Mount Make Up Air
Discharge Diffuser Model #HM-45



ETL Listed
File #2001066



EQUIPMENT SPECIFICATIONS

To be Model VEE Island style exhaust canopy complying with NFPA-96, bearing ETL Sanitation Listing as manufactured by Discount Restaurant Hoods, Inc.

Item to be (L) _____ long x (W) _____ wide x (D) _____ deep in _____ section(s) as per drawing. Unit(s) constructed of 18 gauge stainless steel where exposed with external seams and joints welded liquid tight. All exposed surfaces are to be polished to the #4 finish.

Unit(s) to have U.L. classified baffle grease extractors, mounted in a V-bank stainless steel frame with removable stainless steel grease cup and trough.

3" Top airspace comes standard.

Listed one exhaust duct opening (minimum) for exhaust hoods up to 16 Ft. in length. Listed at minimum 260 CFM per linear foot exhaust.

Canopy to have following standard features:

- _____ U.L. Listed vapor proof globe type incandescent light fixtures, interwired to junction box.
- _____ Aluminum baffle grease extractors.

Canopy to have the following options:

- _____ Stainless steel baffle grease extractors.
- _____ 110 Volt light switch. Surface mount in stainless steel chase.
- _____ 110 Volt fan switch for exhaust and supply. Mount in stainless steel chase.
- _____ 3" side air space. Left _____ Right _____

MECHANICAL REQUIREMENTS

EXHAUST REQUIREMENTS:

- _____ Total CFM required.
- _____ Total exhaust collar(s) @ .75" S.P. each.
- () _____ x _____ Exhaust collar(s) size @ _____ CFM each.

SUPPLY REQUIREMENTS:

- _____ Total CFM required.
- _____ Total supply collar(s) @ .5" S.P. each.
- () _____ x _____ Supply collar(s) size @ _____ CFM each.